

JUXTA W Series

General Specifications

WX2A/V-FP
Programmable Unit
(Soft Variable Type)

JUXTA

1. GENERAL

This soft variable type programmable unit inputs one voltage signal and one contact input from various converters and outputs isolated current or voltage signal after making various computation. (After delivery, can decide function by making program freely through handy terminal.)

2. SPECIFICATIONS

Input & Output	
Input signal	One DC voltage signal and one contact input
Measuring range	Voltage signal input is less than 0~10V DC and span is more than 2V Current signal input (input resistance : 250Ω x input current : lin) should satisfy measuring range of voltage signal input
Input resistance	1MΩ (more than 100KΩ when pow)
Output signal	Direct current or voltage signal
Standard Performance	
Accuracy rating	±0.2% of span [when input (%) % = output (%)]
Response speed	500ms 63% response (10~90%)
Signal insulation	Between any of input, output, and power supply
Insulation resistance	100MΩ (at 500V DC) between input~output~power supply (DC drive) and between input~output~power supply~ground (AC Drive)
Withstand voltage	1500V AC/minute between input~output~power supply 500V AC/minute between output~power supply (DC Drive) 1500V AC/minute between input~output~power supply~ground (AC Drive)
Ambient temperature & humidity	Normal operating condition : 0~50℃, 5~90%RH Possible operating limit : -10~60℃, 5~95%RH Transport & storing condition : -40~70℃, 5~95%RH (no condensation)
Power supply voltage	85~264VAC 47~63Hz or 24V DC±10%
Effect of power supply voltage fluctuation	±0.1% of span per fluctuation of 85~264VAC or 24VDC±10%
Effect of ambient temperature change	±0.2% of span per change of 10℃.
Power consumption	100VAC 6.2VA(WX2V-FP), 100VAC 7.3VA(WX2A-FP)
Mounting, Shape & Accessories	
Material	ABC plastic case
Board	Glass epoxy both side
Mounting method	Rack, Wall mount, DIN rail
Connecting method	M4 screws terminal connection
External dimension	72x48x127mm (HxWxD)
Weight	Abt. 150g (DC Drive) Abt. 280g (AC Drive)
Accessories	Tag number label 1 Mounting block 2

WX2□-FP-□□-□*B

OUTPUT RESISTANCE AND LOAD RESISTANCE

WX2A-FP (DC Current Output Type)		
Output Signal	Output Resistance	Permissible Load Resistance
4~20mA DC	More than 5kΩ	0~750Ω
2~10mA DC		0~1500Ω
1~5mA DC		0~3000Ω
0~20mA DC		0~750Ω
0~16mA DC		0~900Ω
0~10mA DC		0~1500Ω
0~1mA DC		0~15KΩ
Others, I _o is less than 2mA		Less than (15/I _o)Ω

I_o : 100% output current value

WX2V-FP (DC Voltage Output Type)			
Output Signal	Output Resistance	Permissible Load Resistance	
0~10mV DC	Less than 100Ω	More than 250KΩ	
0~100mV DC		More than 2KΩ	
0~1V DC	Less than 1Ω	More than 10KΩ	
0~10V DC		2KΩ	
0~5V DC		2KΩ	
1~5V DC		10KΩ	
-10~+10V DC		250KΩ	
Others, V _o is less than 10V		Less than 1Ω	10KΩ
			V _o : 100% output voltage value

V_o : 100% output voltage value

TYPE _____

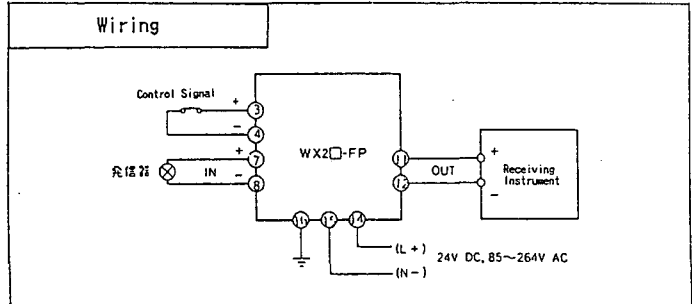
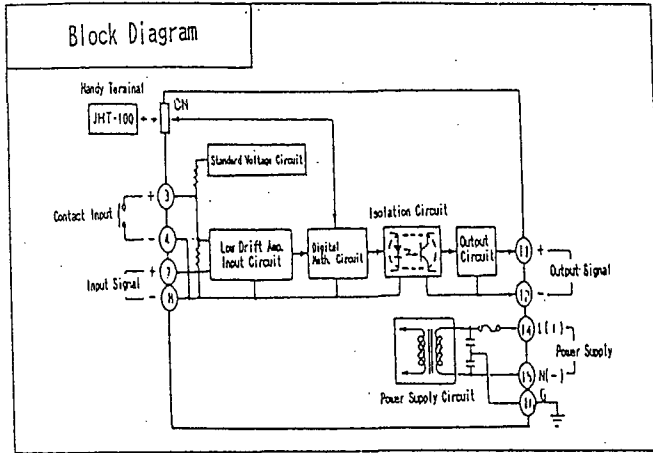
OUTPUT SPEC. _____
 A: Current
 V: Voltage

INPUT SIGNAL _____
 1: Voltage signal
 0: Custom (Current signal)

OUTPUT SIGNAL _____

[WX1A-FP] [WX1V-FP]
 A: 4~20mA DC 1: 0~10mV DC
 B: 2~10mA DC 2: 0~100mV DC
 C: 1~5mA DC 3: 0~1V DC
 D: 0~20mA DC 4: 0~10V DC
 E: 0~16mA DC 5: 0~5V DC
 F: 0~10mA DC 6: 1~5V DC
 G: 0~1mA DC 7: -10~+10V DC
 Z: (Custom) Specify current signal (24mA max.) 0: (Custom) Specify voltage signal (±10V max.)

POWER SUPPLY _____
 : 24V DC±10%
 2 : 85~264VAC

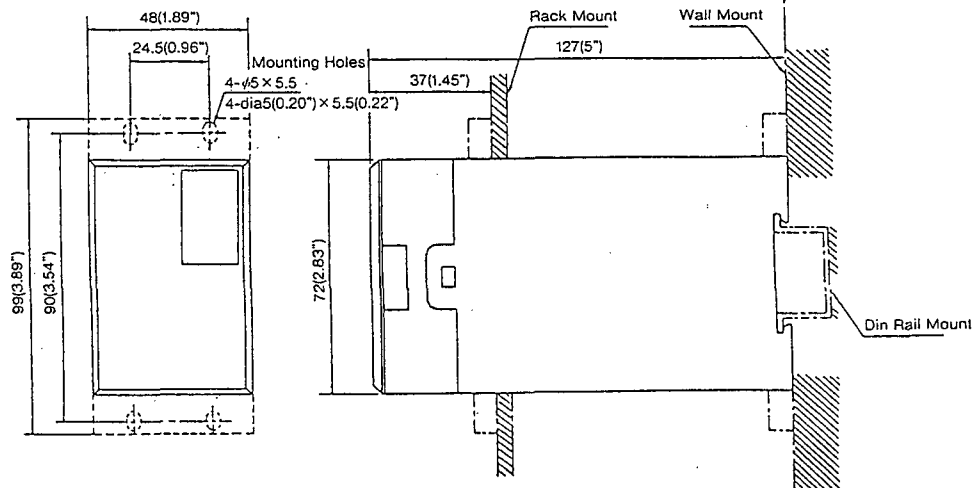


Terminal Arrangement

1		9	
2		10	
3	ON/OFF (+)	11	OUTPUT (+)
4	ON/OFF (-)	12	OUTPUT (-)
5		13	
6		14	SUPPLY (L+)
7	INPUT (+)	15	SUPPLY (N-)
8	INPUT (-)	16	GND (G)

Signal Conditioner External Dimension

Unit:mm(ineh)



Subject to change without notice for grade up quality and performance